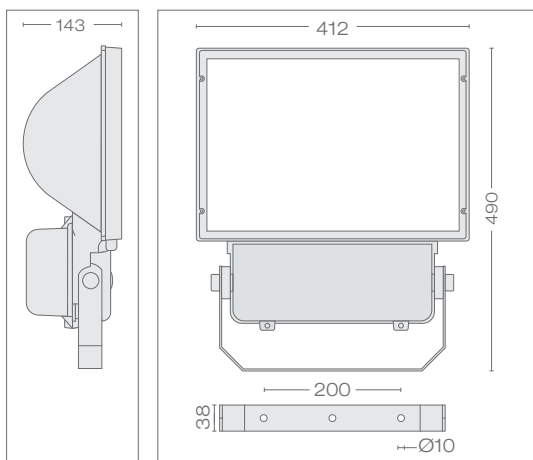


MARS 1

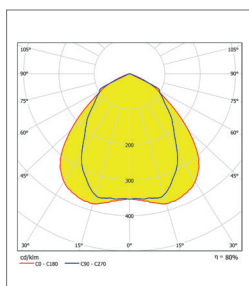


Special Order

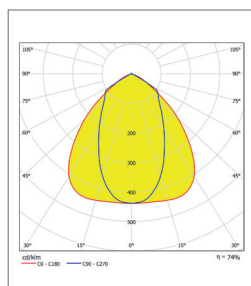
- * Electrical connections for Through Wiring
- * European electronic ballast up to 150W
- * European magnetic ballast (Inductive)
- * Power reduction system for sodium and mercury lamps
- * Glass guard
- * Offered with a lamp (Upon customers' request)



Photometric Data



250W - HPS



400W - HPS

Technical Characteristics

Parameter	Performance
Light Source	HID Lamps
Power range (W)	150 - 400
Body material	Diecast Aluminum
Input Frequency (Hz)	50
Input Voltage (V)	220 - 240
Power Factor	0.95
Lamp holder	E40
Ambient temperature (°C)(t _a)	35
Maximum weight (Kg)	10
Installation height (m)	4 - 12
Optical IP	65
Electrical IP	65
Dimension (cm)	L49 x W41.2 x H14.3
Maximum windage area (m ²)	0.168
Protection class against electrical shock	Class I
Glass	Tempered bowl
Reflector	Anodised aluminum
Coating	Electrostatic Powder Coating

Code	Power (W)	Lamp	Capacitor (µf)	Current (A) Without capacitor	Current (A) With capacitor	Lamp Holder	Weight (Kg)
MA101502	150	HPS	18	1.8	0.6	E40	8.1
MA101502	250	HPS	35	3	1.3	E40	9.2
MA101502	400	HPS	50	4.4	2.1	E40	10
MA101501	250	HQL	18	2.2	1.2	E40	8

