



# *GIJB*

Golnoor industrial junction box





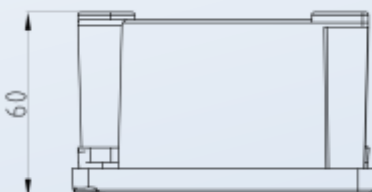
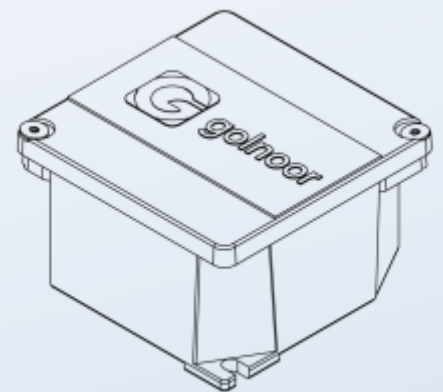
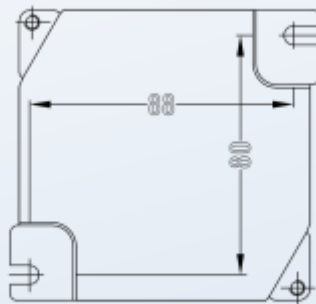
## *GIJB - 301*

Ingress Protection : IP66

Material : Aluminum Die Cast

Weight : 0.45 kg

Electrostatic Powder Painting - Gray color : 7040





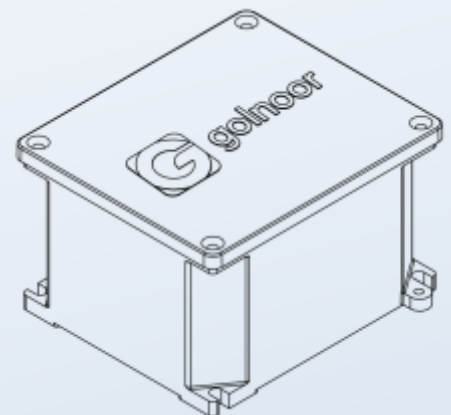
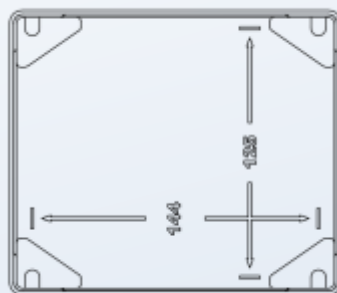
## *GIJB - 302*

Ingress Protection : IP66

Material : Aluminum Die Cast

Weight : 1.0 kg

Electrostatic Powder Painting Gray color : 7040





## *GIJB - 303*

Ingress Protection : IP66

Material : Aluminum Die Cast

Weight : 2.0 kg

Electrostatic Powder Painting - Gray color : 7040

