



Outdoor Products Catalogue



2019-01

The information contained in this catalogue is always the latest in version of product specifications, however «Golnoor» has right to make changes in products without prior notification or after latest edition to improve products quality & specifications.

Outdoor Products Catalogue 2019-01

© Copyright Golnoor Co. All rights reserved.

ABOUT GOLNOOR...

Founded in 1993 in Iran, Golnoor has been designing, manufacturing, and distributing world-class, high-efficiency, and top-quality indoor and outdoor lighting products, steel structures, and renewable energy services. Currently, Golnoor has been widely recognized as one of the leading lighting industries in the Middle East and has been credited as one of the top exporters in the country for several consecutive years. Besides its headquarter, main office, and sales-representative offices in Iran, Golnoor has established international offices to create opportunities for introducing and developing its products and services to other countries across and beyond the Middle East.

Comprehensive baskets of products and services, concentration on R&D activities, collaboration with professional designers, as well as deployment of well-appointed workshops and equipment have empowered Golnoor to satisfy various lighting industry requirements and to fulfil a broad range of customers' needs. Our highly-experienced engineering team focuses on the latest energy efficient technologies to produce lighting products adopting the most recent international industry standards while playing a significant role in the process of national standardization.

A workforce of over 600 are working at Golnoor's 55000 square-meter facilities in Isfahan, and the products and services are exported to more than 27 countries such as CIS countries, Middle Eastern countries, East Asian and also European countries through a worldwide distribution network. The administrative section of the company is constantly expanded as the production increases. To actualize the slogan of the company, "Light up your life", Golnoor continues designing and producing finely-engineered products using the very latest available technologies and attempts to meet the technical and practical demands of its vast range of users and investors.



Equipment and Technical Advantage...

Largest outdoor lighting workshop in the Middle East including:

- Advanced molding able to make big-size molds
- Die cast workshop
- Pressing workshop
- Painting workshop

Most developed metal-structure workshop for producing lighting poles and masts including:

- Press brake
- Automatic welding machine
- Underwater plasma cutting machine

Accredited laboratory to carry out tests according to national and international standards

Cooperation with the most reputable international companies

Professional team for:

- Architectural lighting design
- Photovoltaic system (EPC project)
- Oil, gas, and petrochemical industry

These features and advantages make Golnoor an ideal administering agent for any lighting and custom solar projects in which customers seek high-quality products along with after-sales services.

www.golnoor.com

Outdoor Products Catalogue

 high frequency motion sensor	 loop through	 reduced projection	 minimum distance from the illuminated objects
 infrared motion sensor	 fuse	 reduced installation depth	 mountable on normally flammable surfaces
 emergency luminaire 1 h	 hot restrike	 light effects	 glow wire resistance
 emergency luminaire 2 h	 double switch	 diffused light emission	 ceiling luminaire
 emergency luminaire 3 h	 adjustable louvre	 symmetrical light emission	 wall luminaire
 emergency luminaire 3 h QUICK	 dimmable 10-1V	 asymmetrical light emission	 suspended luminaire
 full cut-off	 dimmable DALI	 circular light emission	 luminaire for track mounting
 LED luminaire	 dawn-dusk switch	 elliptical light emission	 Projector Fixtures
 installation without tools	 luminaire free-standing	 continuous mounted luminaire	 recessed ceiling luminaire
 heavy use conditions	 movable luminaire	 walk-over luminaire	 wall recessed luminaire
 modular	 flood lighting	 IP degree of protection	 In-Ground Lights
 drive-over luminaire	 submerged mounting	 class I	 raceway mounting
 side cable entry	 street lighting	 class II	 High PF
 through wiring connection	 post luminaire	 class III	 Upon the Customer Request

LED Garden Lighting

- * Stylish design with advanced heat dissipating system
- * Uniform light distribution
- * A very eye-catching and unique view
- * Standard power supply capable of precise control of flow
- * Constant power consumption and light output in a wide range of supply voltage (180-265VAC)
- * Power supply with overvoltage transient protection
- * Wide ambient temperature range and possibility to operate in different climates
- * High ingress protection and good resistance to corrosion and mechanical stress
- * No ultraviolet and infrared radiation

Standards	
INSO 5920-1	Luminaires-part 1: General Requirements & Tests
INSO 20873-1	Luminaire Performance - Part 1: General Requirements
INSO 20873-2-1	Luminaire Performance -part 1-2: Particular Requirements for LED Luminaires
INSO 16075	AC and/or DC-supplied electronic control gear for LED Modules - Functional Requirements
INSO 7644-2-13	Lamp control gear - part 13-2: Particular Requirements for AC and/or DC-supplied electronic control gear for LED Modules
IES LM-80	Measuring Luminous Flux and Color Maintenance of LED Packages, Arrays & Modules

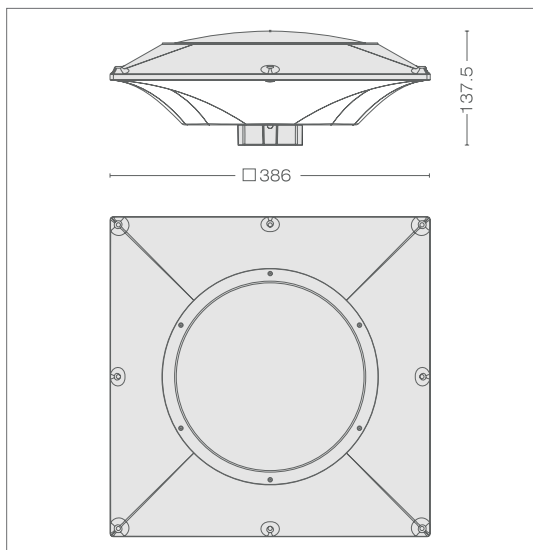
TETRA



* Available in both AC & DC systems for solar powered applications.

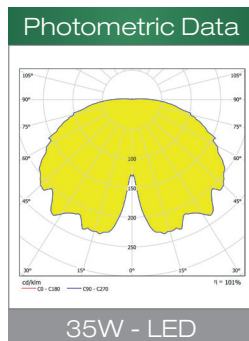
Mechanical Characteristics	
Parameter	Performance
Ingress Protection (IP)	IP65
Body Material	Aluminum die-cast
Lens Material	Polycarbonate (PC)
Coating of body	Electrostatic Powder Painting
Pipe holder diameter (mm)	Ø60
Weight (Kg)	3.65

Product Code	Nominal Product Power
354035	35 W



Electrical Characteristics	
Parameter	Performance
Nominal Input Voltage & Frequency (V-AC/Hz)	230/50
Input Voltage Range (V-AC/Hz)	180 - 265/50 - 60
Nominal Power (W)	35
Nominal Input Current (A@V)	0.160@230
Power Factor	0.95
LED Module Operating Voltage (V-DC)	48
Total Harmonic Distortion (THD)	%15 ≥
LED Module Type	None-Integrated
Class of Protection Against Electric Shock	I

Optical Characteristics	
Parameter	Performance
Light Source	SMD LED
Number of LEDs (pcs)	48
Nominal Power of Single LED (W)	1.5
Luminous Flux (Lm)	4025
System Luminous Efficiency (Lm/W)	115
Color Temperature (°K)	6500
Color Rendering Index	75
SDCM (Initial & Working Value)	5SDCM
Photometric Code	765/559
Lumen Maintenance Angle (Degrees)	9



General Characteristics	
Parameter	Performance
Rated Ambient Temperature (tq) Related to Luminaire Performance (°C)	25
Working Temperature Range (°C)	-20 ~ +50
Maximum Allowed Humidity (%)	95
Rated Median Useful Life	70000
Rated Abrupt Failure Value (%)	15